



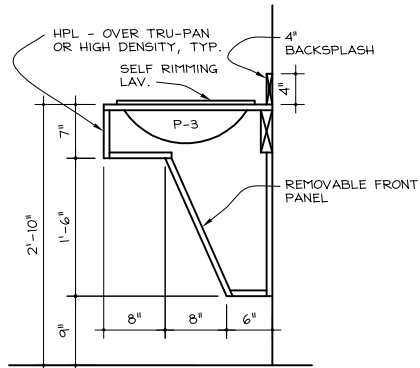
**Legend Oaks, L.L.C.**  
**LEXINGTON, NEBRASKA**

The Designer, Specifications and other documents prepared by the Architect for this project are instruments of the architect's professional service and shall remain the property of the architect. The architect shall be deemed the author of these drawings and shall be responsible for their accuracy and shall not be liable for any errors or omissions. Any reproduction of these documents is prohibited.

**TIM C. SCHALLER**  
**ARCHITECT**  
 P.O. Box 197 LARNED, KANSAS 67550  
 620-285-2950 FAX 620-285-2940

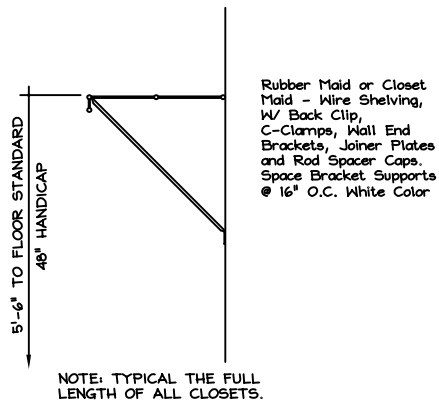
DESIGN
CHECKED
DATE
SCALE
JOB NO.
SHEET

**SP4**  
 OF 22 SHEETS



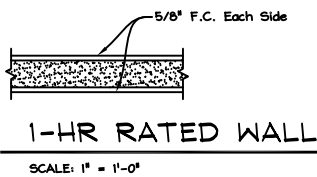
**A LAVATORY SECTION**

SCALE: 1" = 1'-0"



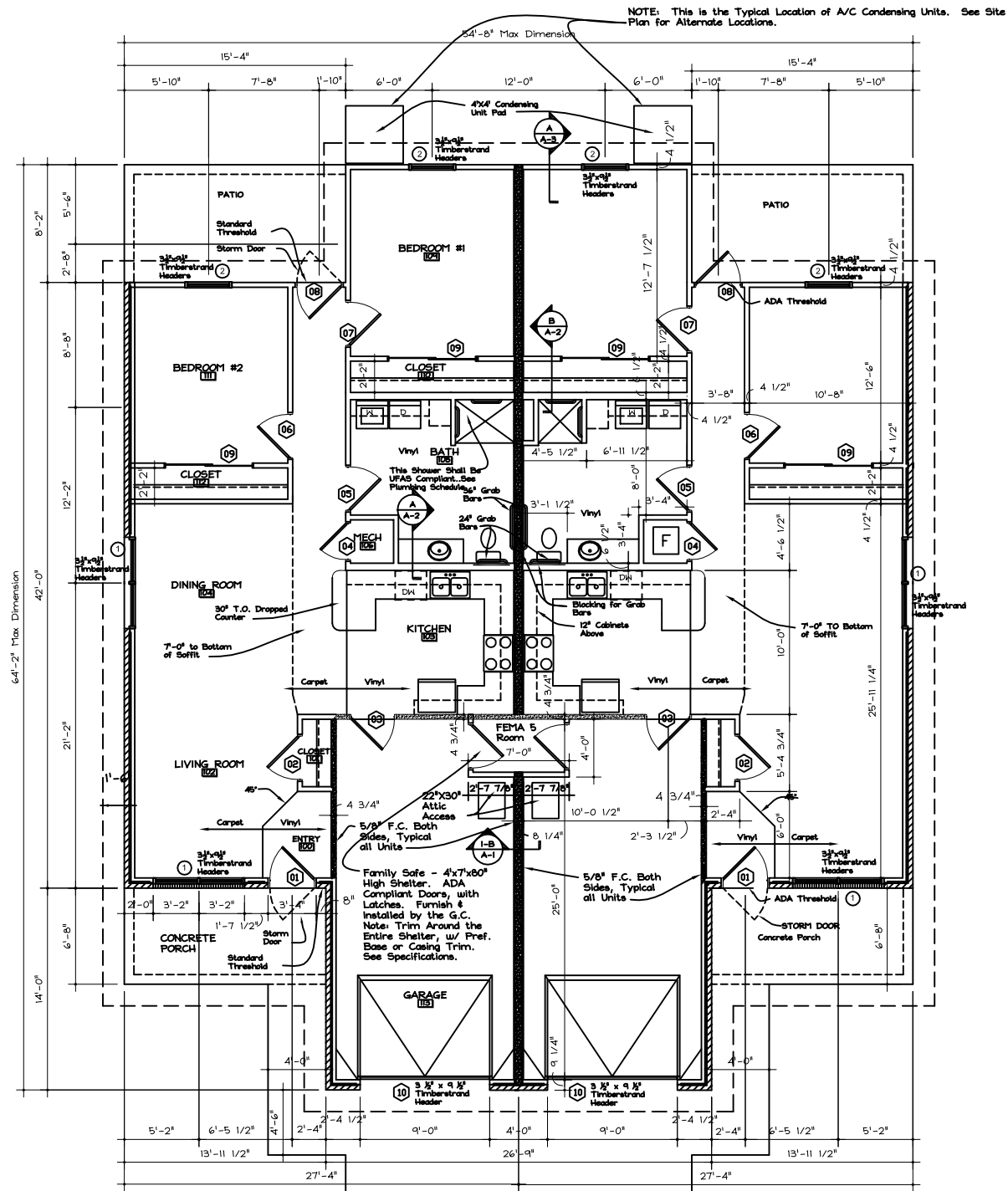
**B SHELF SECTION**

SCALE: 1 1/2" = 1'-0"



**1-HR RATED WALL**

SCALE: 1" = 1'-0"



**1 HANDICAP FLOORPLAN - RIGHT SIDE**  
SCALE: 3/16" = 1'-0"

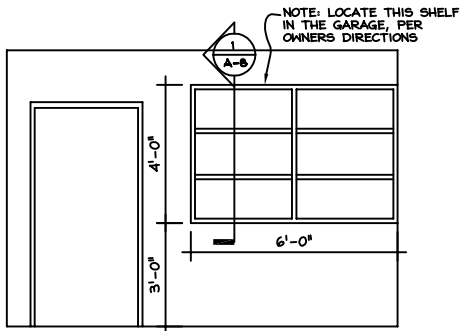
NOTE: This is the Typical Location of A/C Condensing Units. See Site Plan for Alternate Locations.

**LEGEND OAKS, L.L.C.**  
**LEXINGTON, NEBRASKA**

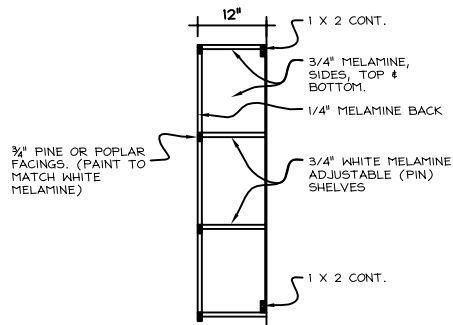
The Designer, Specifications and other documents prepared by the Architect for this project are instruments of the service provided by the Architect in accordance with the contract documents. The architect shall be deemed to have no liability for any errors or omissions in these documents and other associated matters, including but not limited to, any information provided by the client. Any reproduction of these documents is prohibited.

**TIM C. SCHALLER**  
**ARCHITECT**  
P.O. Box 197 Larned, Kansas 67550  
620-285-2950 FAX: 620-285-2940

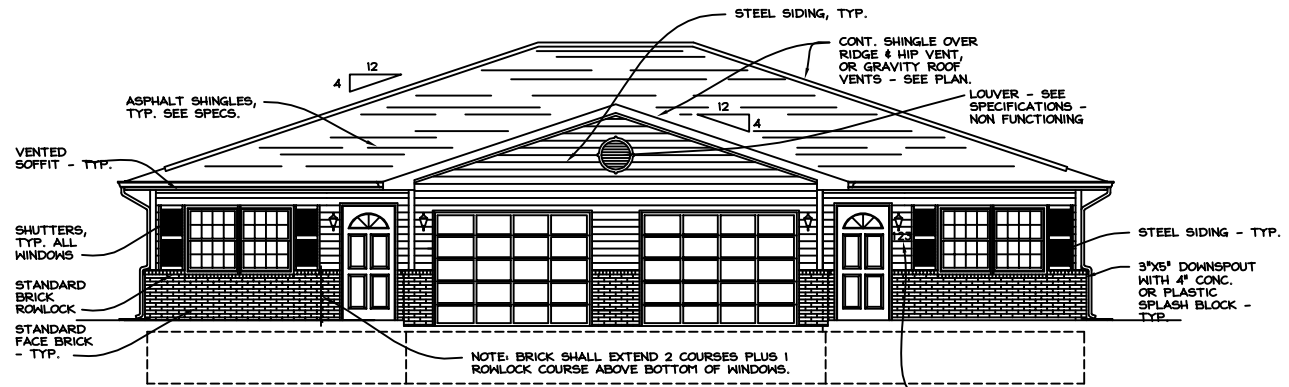
DESIGN
CHECKED
DATE
SCALE
JOB NO.
SHEET



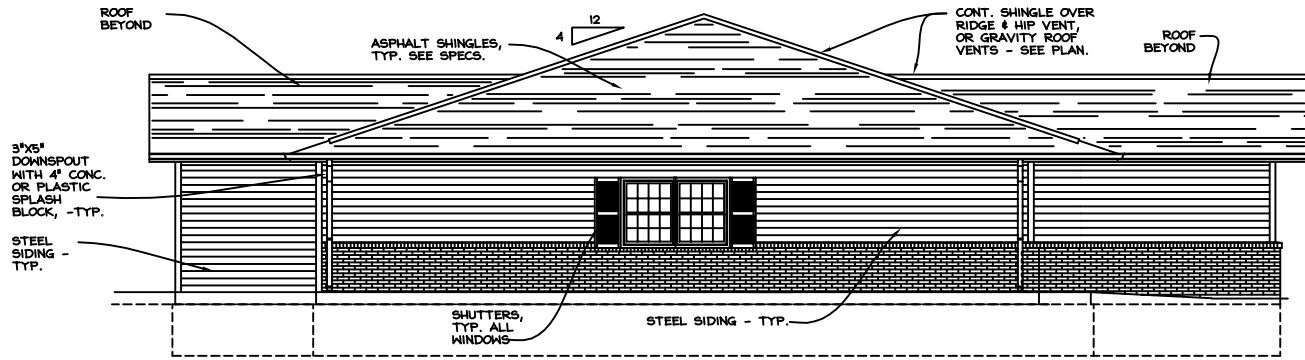
(TYP. AT EACH GARAGE)  
**GARAGE CABINETS**  
 SCALE: 3/8" = 1'-0"



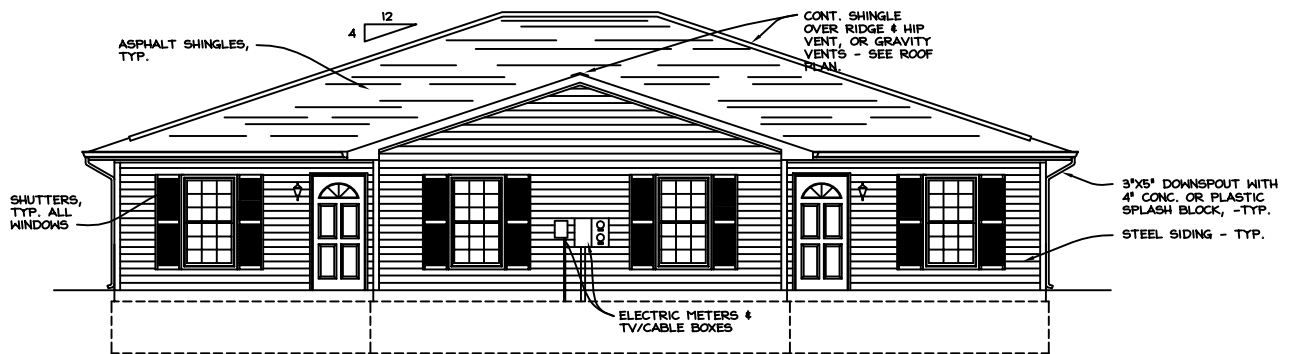
SECTION  
 SCALE: 3/4" = 1'-0"



1 FRONT ELEVATION  
 SCALE: 3/16" = 1'-0"



2 SIDE ELEVATION (SAME ON OTHER SIDE)  
 SCALE: 3/16" = 1'-0"



3 REAR ELEVATION  
 SCALE: 3/16" = 1'-0"

**Legend Oaks, L.L.C.**  
**LEXINGTON, NEBRASKA**

The drawings, specifications and other documents prepared by the Architect for this project are instruments of service. They are to be used only for the project and site specified herein. The architect shall be deemed to have no liability for any errors or omissions in these drawings and other documents, including any computer-aided drawings, or for any duplication of these documents or publication.

**TIM C. SCHALLER**  
**ARCHITECT**  
 P.O. Box 197 Larned, Kansas 67550  
 620-285-2950 FAX: 620-285-2940

DESIGN
CHECKED
DATE
SCALE
JOB NO.
SHEET
A-6
OF 22 SHEETS